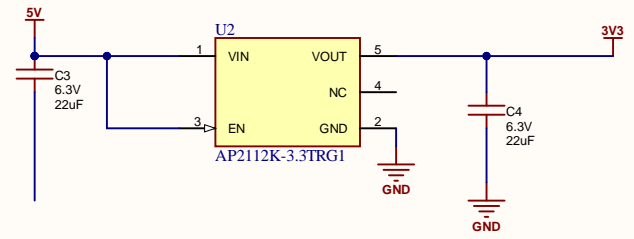
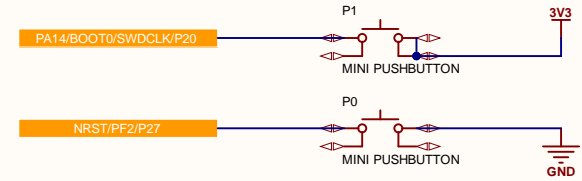
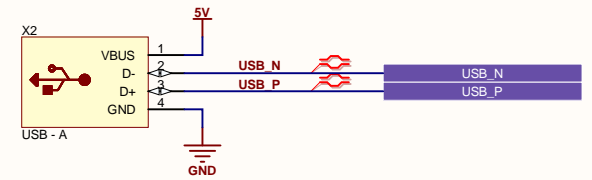
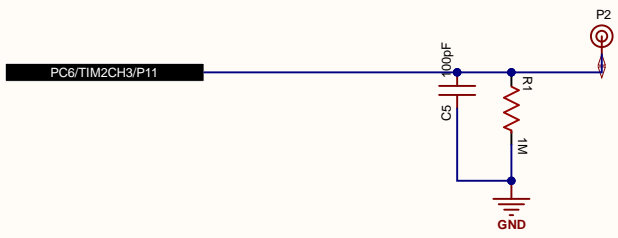


▲ PB0 was Green eye with no PWM. The Green eye is now PA0. PB2 is used to detect that this is the updated rev.



Title: <i>Ghizzy Jr</i>		
Part #: GDL-SPGHIZZYJR-B		
Revision: A	Date: 2/13/2026	Sheet 1 of 4



Software Features:

ADC: P1, P2, P3, P4, P5, P6, P7, P8, P9, P17

Touch: Can be any pin but hardware need 100pF + 1Mohm

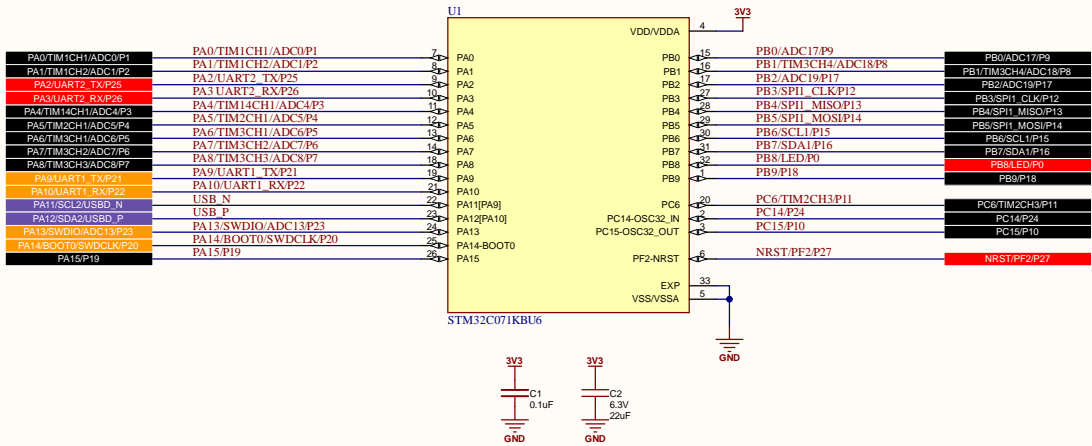
HW PWM: P1, P2, P3, P4, P5, P6, P7, P8, P11
 * P1, P2: TIM1
 * P3: TIM14
 * P4, P11: TIM2
 * P5, 6, 7, 8: TIM3

SW UART: Pins 1 RX, 2 TX

Wakeup Pins: P1, P3

Interrupts on: P1, P2, P3, P4, P5, P6, P7, P12

UART1 is available when not used in Uplink



1

2

3

4

A

A

B

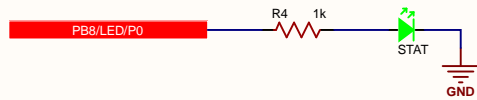
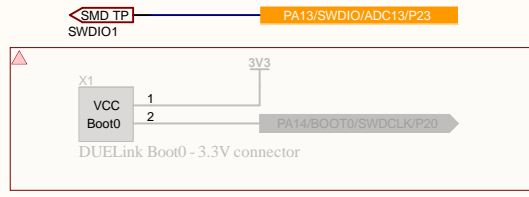
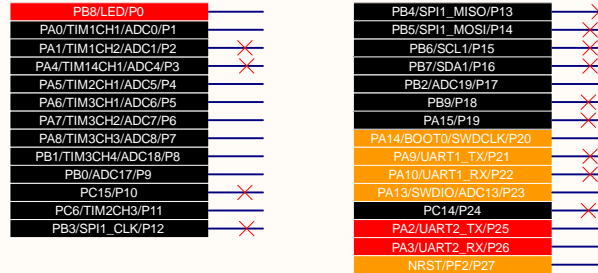
B

C

C

D

D



Fiducial 40 Mil



Fiducial 40 Mil



Fiducial 40 Mil



Fiducial 40 Mil



Fiducial 40 Mil



Fiducial 40 Mil

Title: Misc		
Part #: N/A		
Revision: A	Date: 2/13/2026	Sheet 3 of 4



©2025 GHI Electronics, LLC - Michigan, USA

1

2

3

4

1

2

3

4

A

A

B

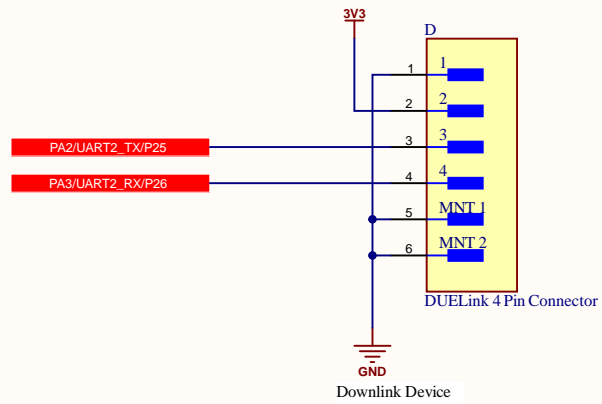
B



C

C

D

D



Title: <i>DUELink Downlink</i>				 Where Hardware Meets Software
Part #: N/A				
Revision: A	Date: 2/13/2026	Sheet 4 of 4		
© GHI Electronics, LLC - Michigan, USA				

1

2

3

4